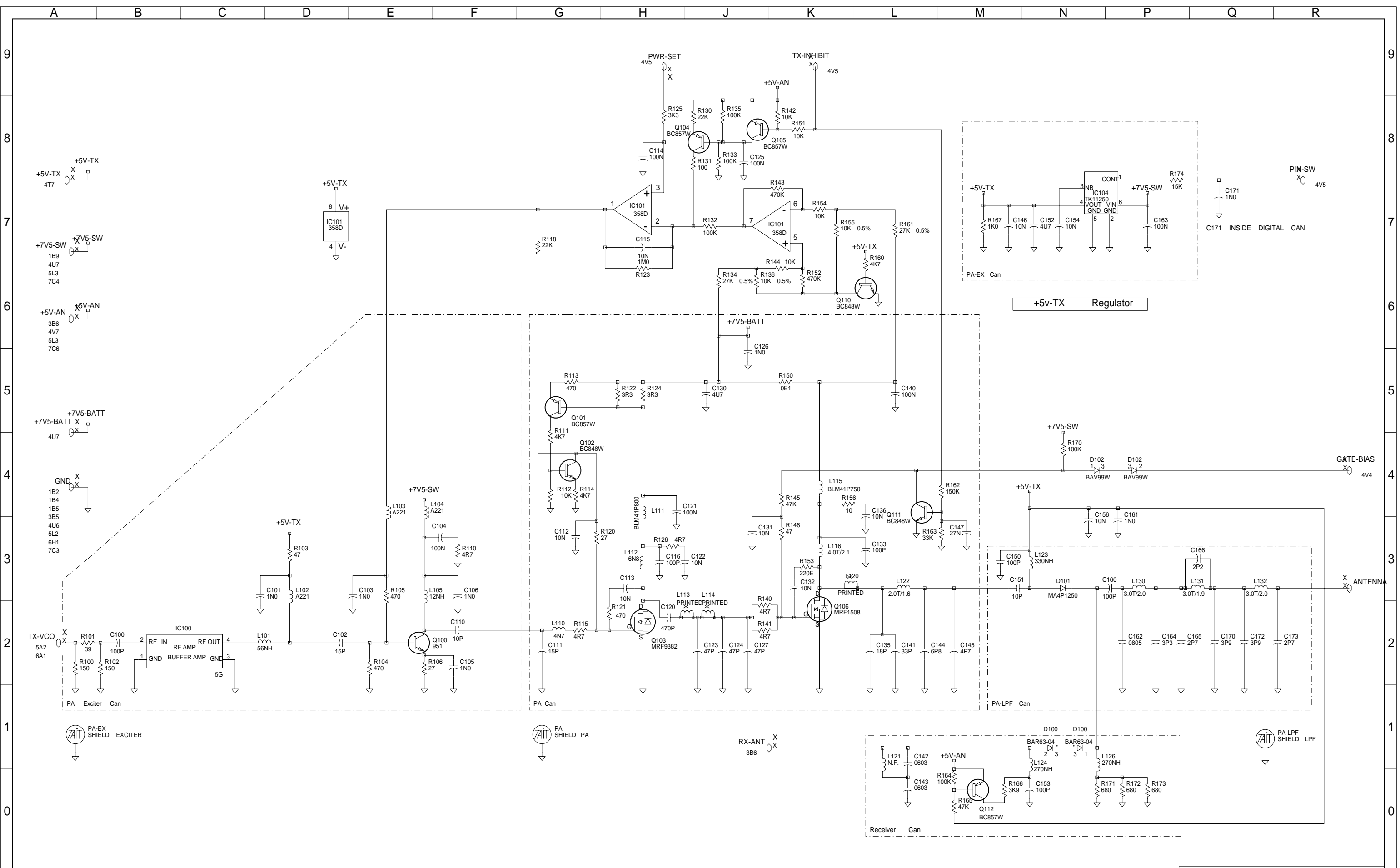


PROCESSOR
252 SHEET 4
DSP AUDIO

VCO sheet 6

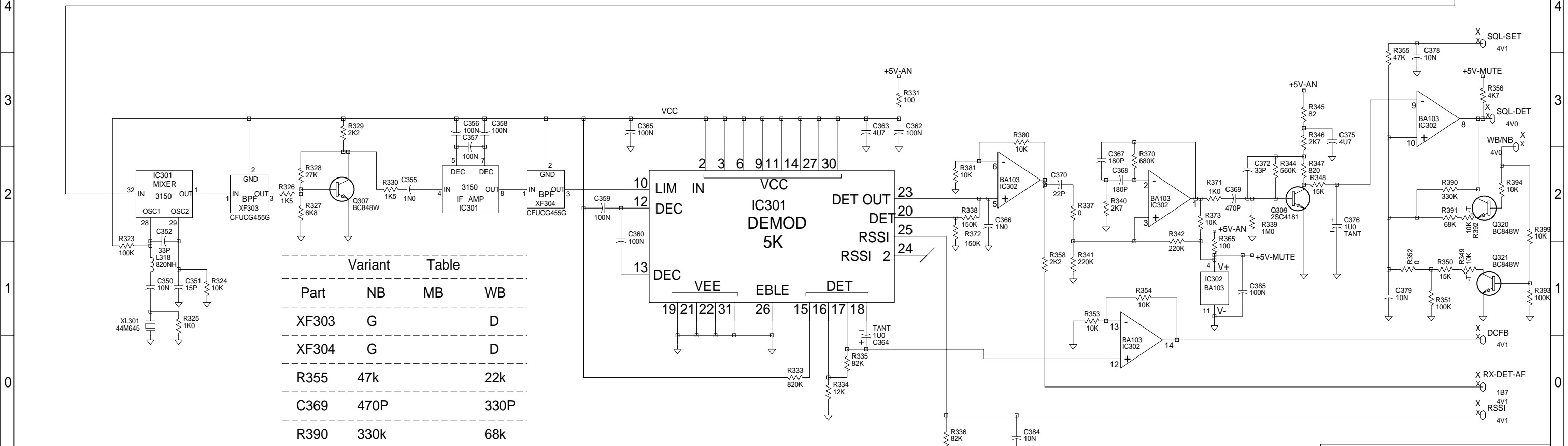
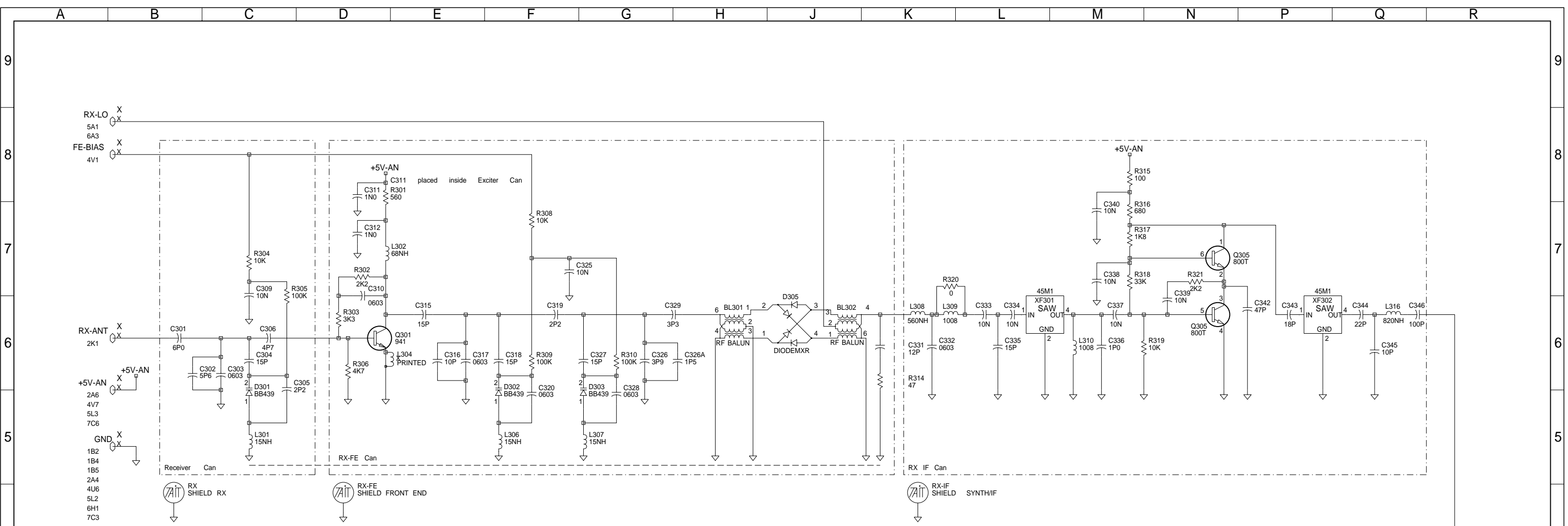
© **TAIT ELECTRONICS**
TAIT ORCA : 450-530 MHz SYSTEM DIAGRAM
 IPN: 220-01624-01 ISSUE: A ID: 2.S.C. 1
 PROJECT: ORCA DESIGNER: BRD/CJK FILE NAME: 162401a FILE DATE: 23-Nov-99 NO.SHEETS: 7

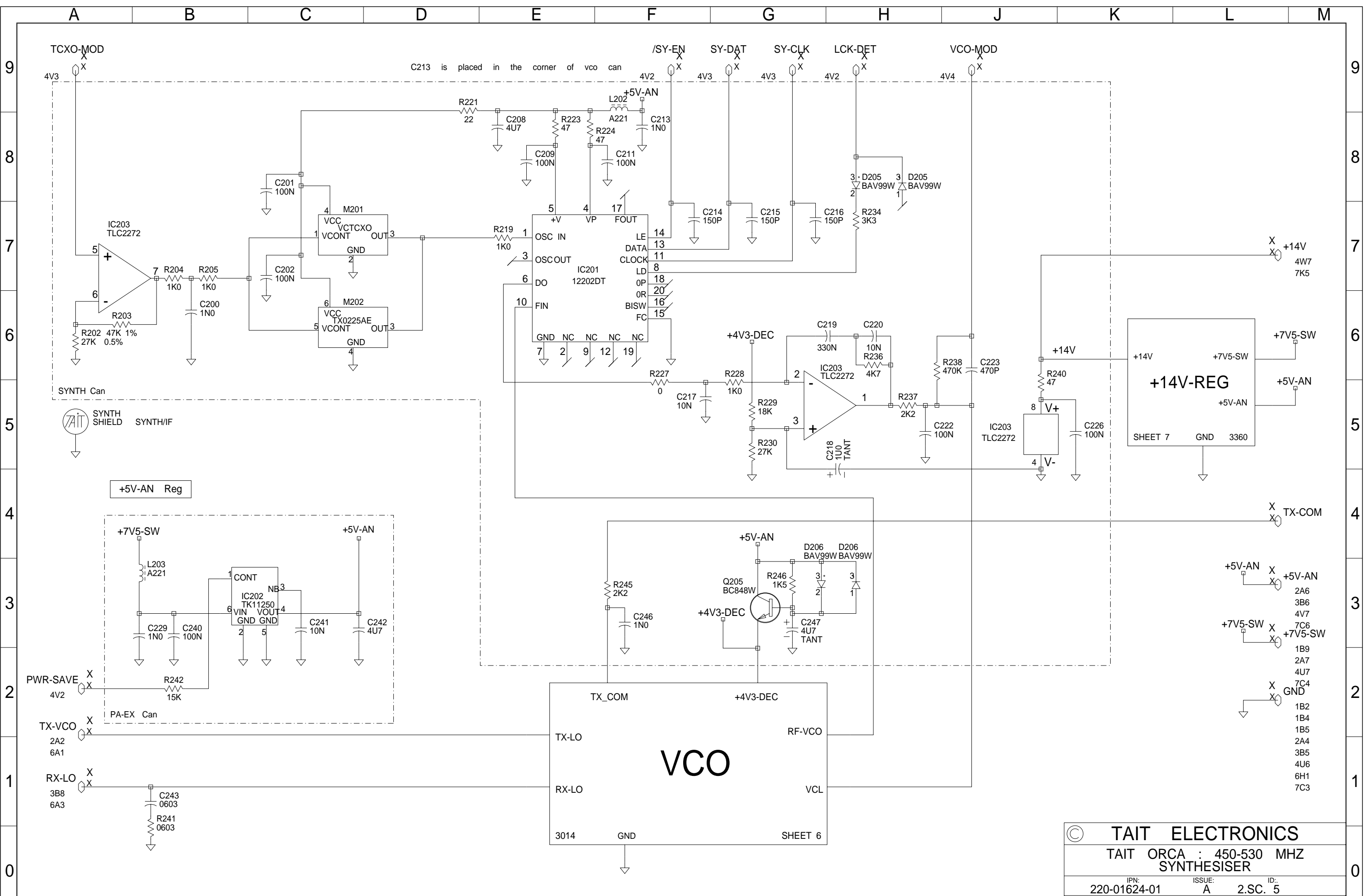
01A	INITIAL	DES	CC0	1624/001	002	003	BRD	JJ	CK	GR	25/11/99
REV/ISS	AMENDMENTS						DRAWN	CHKD	D.O.	APVD	DATE



© TAIT ELECTRONICS
 TAIT ORCA : 450-530 MHZ
 POWER AMPLIFIER
 IPN: 220-01624-01 ISSUE: A ID: 2.S.C. 2
 PROJECT: ORCA DESIGNER: BRD/CJK FILE NAME: 162401a FILE DATE: 23-Nov-99 NO.SHEETS: 7

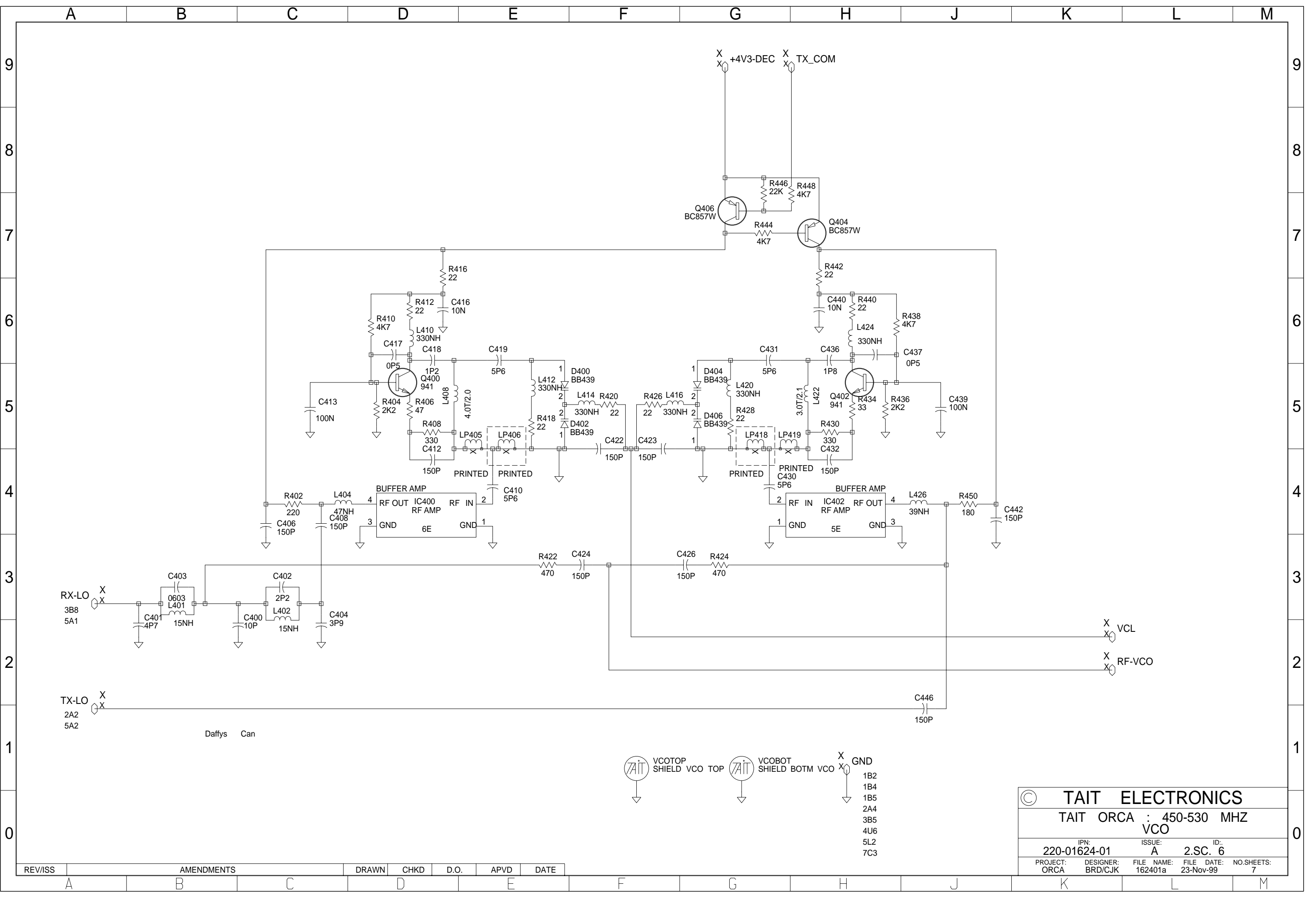
REV/ISS	AMENDMENTS	DRAWN	CHKD	D.O.	APVD	DATE
A						



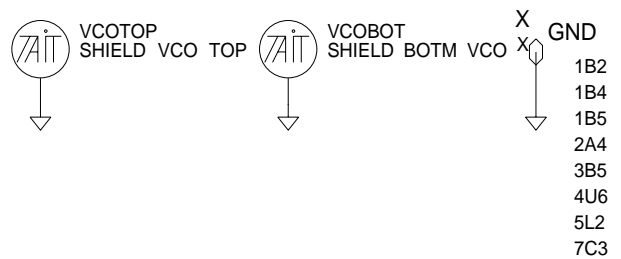


© TAIT ELECTRONICS
 TAIT ORCA : 450-530 MHZ SYNTHESISER
 IPN: 220-01624-01 ISSUE: A ID: 2.SC. 5
 PROJECT: ORCA DESIGNER: BRD/CJK FILE NAME: 162401a FILE DATE: 23-Nov-99 NO.SHEETS: 7

REV/ISS	AMENDMENTS	DRAWN	CHKD	D.O.	APVD	DATE

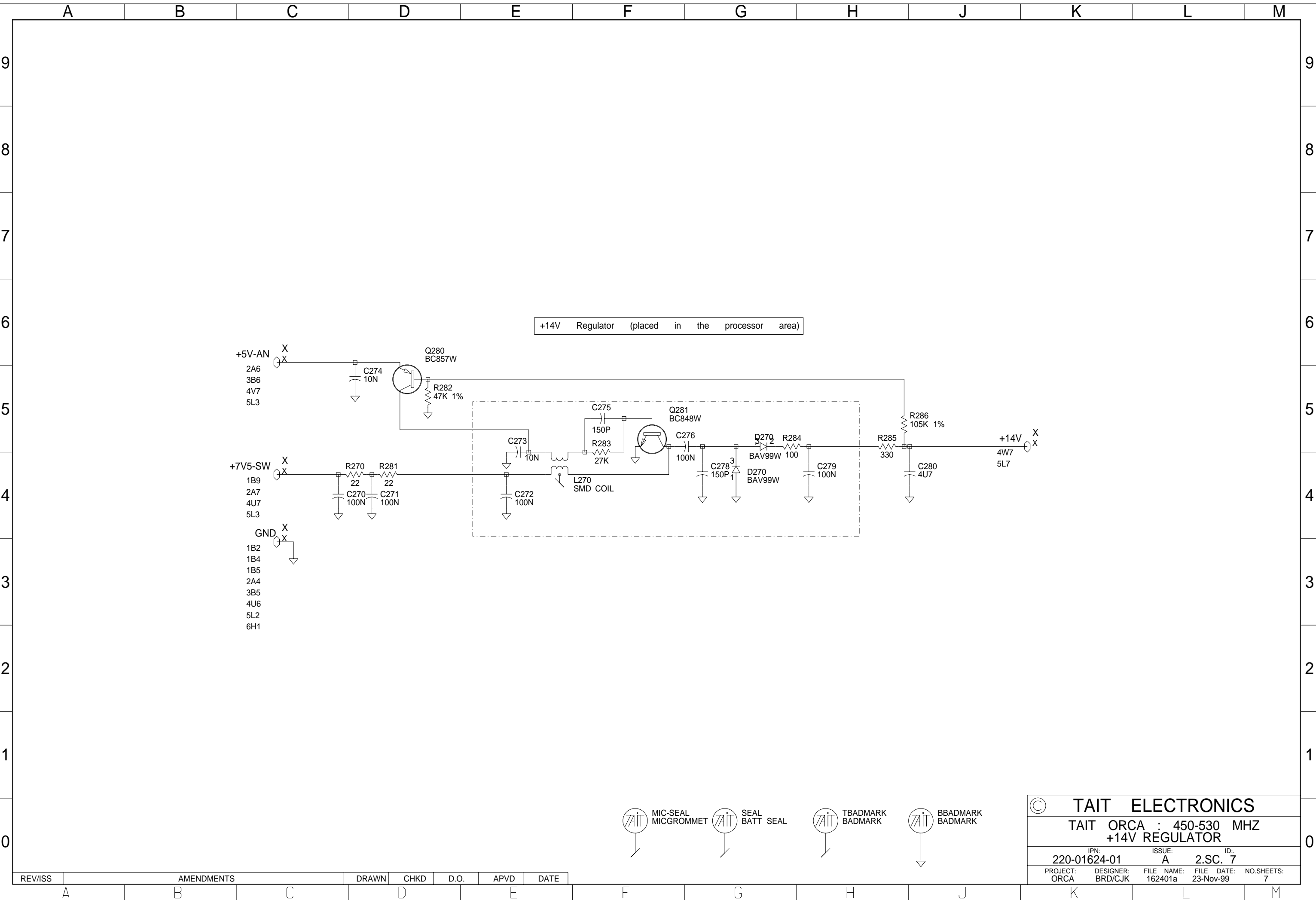


REV/ISS	AMENDMENTS	DRAWN	CHKD	D.O.	APVD	DATE



© TAIT ELECTRONICS
 TAIT ORCA : 450-530 MHZ
 VCO

IPN: 220-01624-01	ISSUE: A	ID: 2.SC. 6
PROJECT: ORCA	DESIGNER: BRD/CJK	FILE NAME: 162401a
FILE DATE: 23-Nov-99	NO.SHEETS: 7	



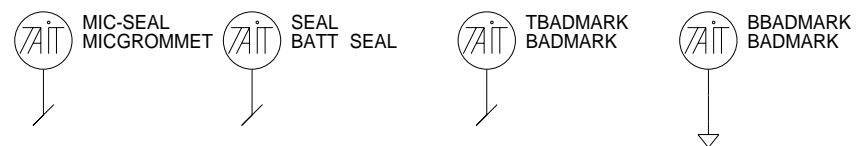
+14V Regulator (placed in the processor area)

+5V-AN
2A6
3B6
4V7
5L3

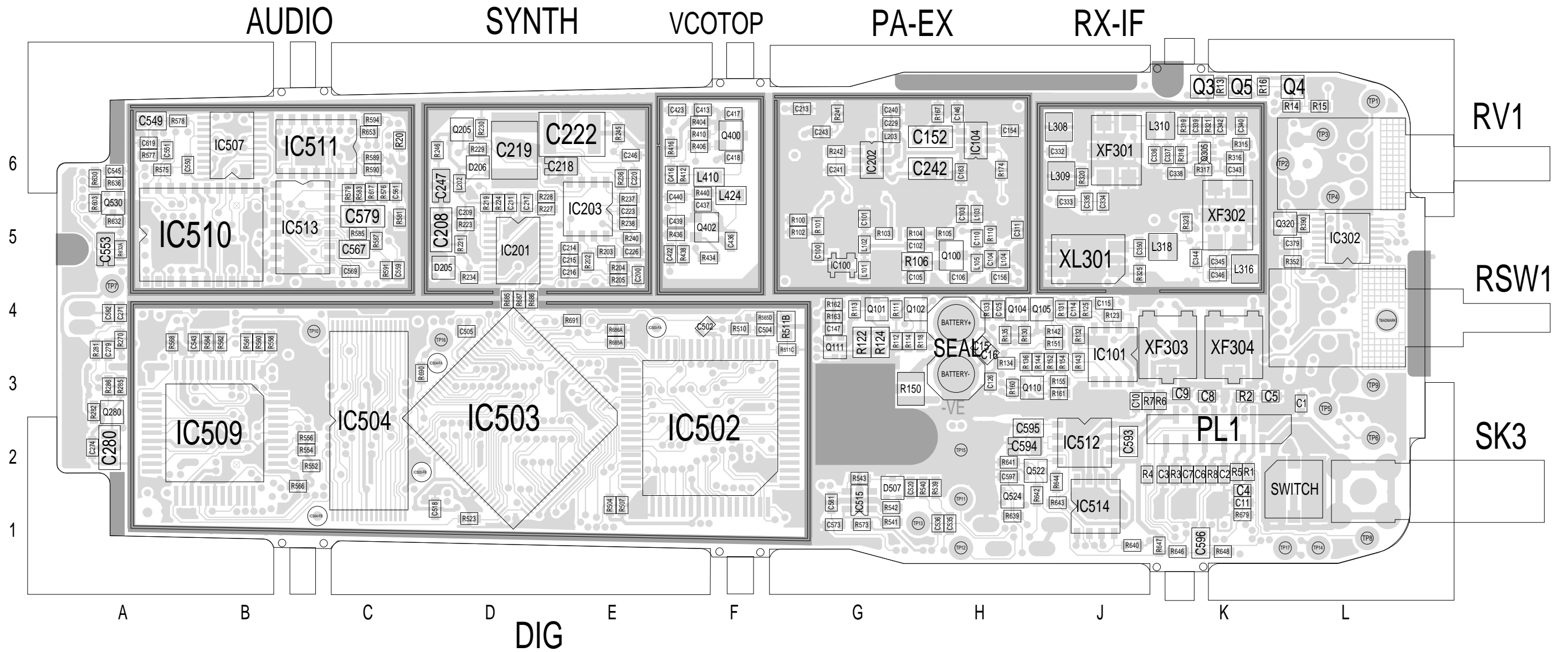
+7V5-SW
1B9
2A7
4U7
5L3

GND
1B2
1B4
1B5
2A4
3B5
4U6
5L2
6H1

© TAIT ELECTRONICS	
TAIT ORCA : 450-530 MHZ +14V REGULATOR	
IPN: 220-01624-01	ISSUE: A 2.SC. 7
PROJECT: ORCA	DESIGNER: BRD/CJK
FILE NAME: 162401a	FILE DATE: 23-Nov-99
NO.SHEETS: 7	



REV/ISS	AMENDMENTS	DRAWN	CHKD	D.O.	APVD	DATE



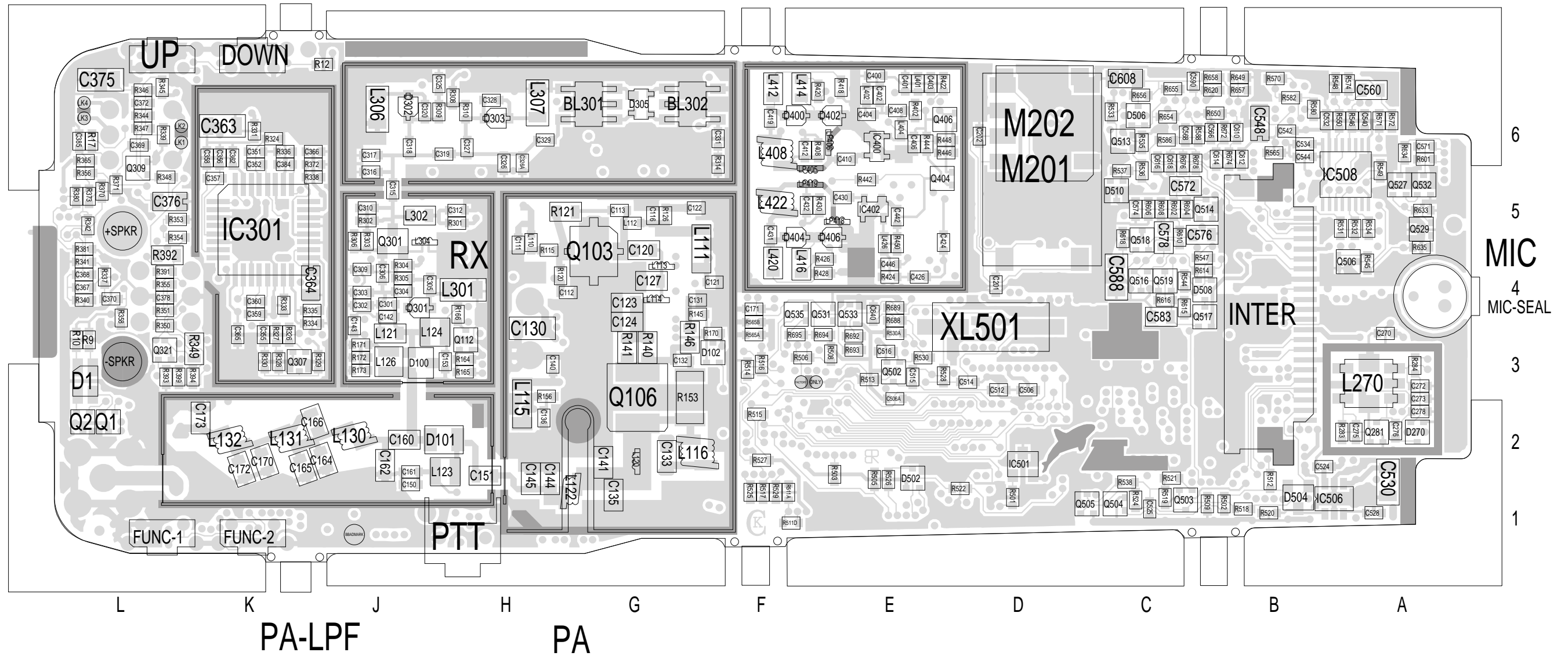
TAIT ELECTRONICS IPN: 220-01624-01 ISS: A ID: 1.TA DATE: 25 Nov 1999
 ORCA UHF PCB LAYOUT - TOP SIDE

Scale: 2.3:1 ; Rotation: 0 degrees

RXDEM

RX-FE

VCOBOT



TAIT ELECTRONICS IPN: 220-01624-01 ISS: A ID: 6.BA DATE: 25 Nov 1999
 ORCA UHF PCB LAYOUT - BOTTOM SIDE

Scale: 2.3:1 ; Rotation: 0 degrees